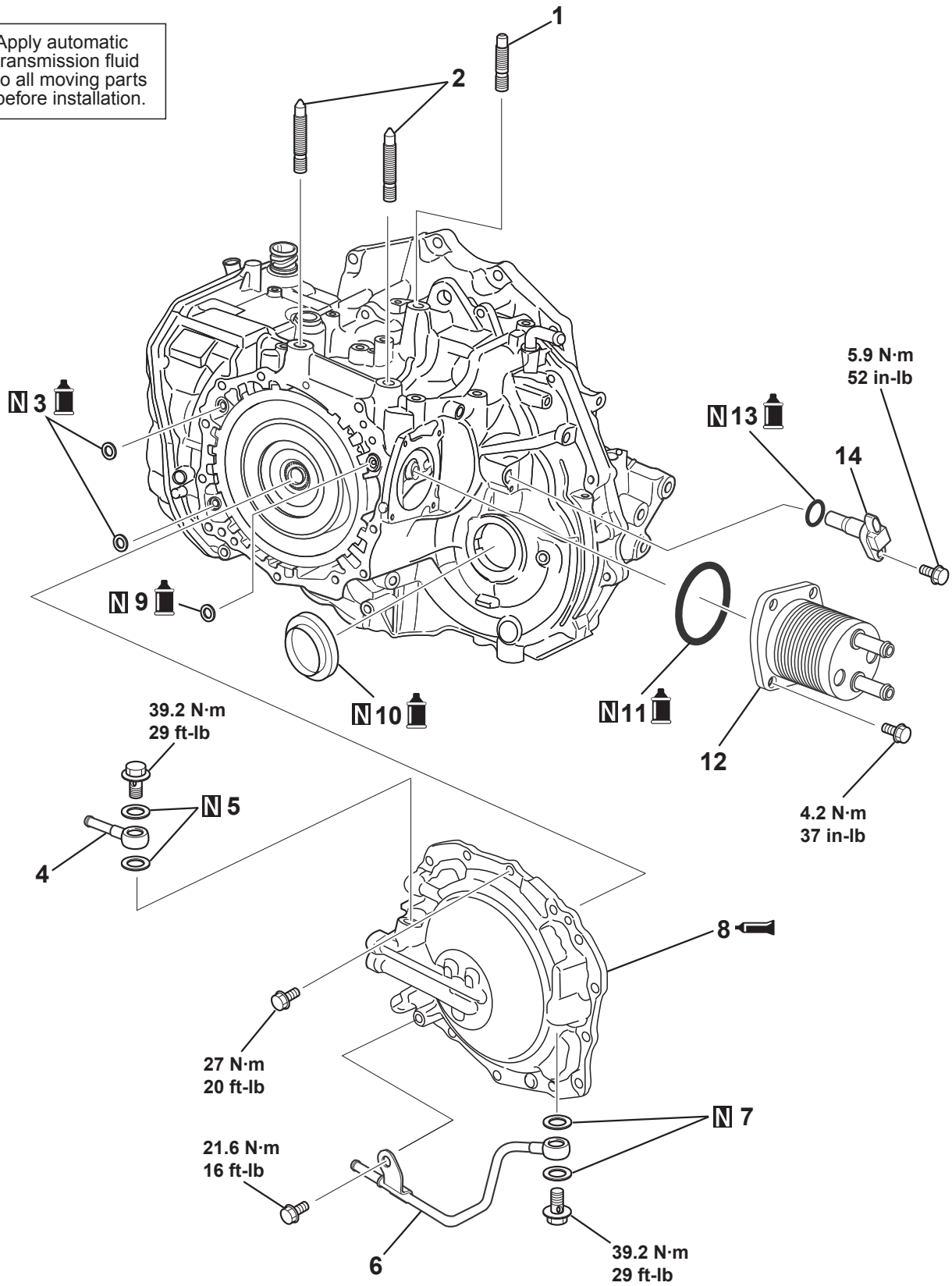


Apply automatic transmission fluid to all moving parts before installation.



1. Stud bolt

2. Stud bolt

**AUTOMATIC TRANSAXLE OVERHAUL
TRANSAXLE**

23B-21

- | | |
|----------------------|------------------------|
| 3. O-ring | 11. O-ring |
| 4. Cooler tube (IN) | 12. Fluid water-cooled |
| 5. Washer | 13. O-ring |
| 6. Cooler tube (OUT) | 14. Speed sensor |
| 7. Washer | 15. Bolt |
| 8. Side cover | 16. O-ring |
| 9. O-ring | |
| 10. Side oil seal | |